

# ZNB.CE

Emergency Button  
Start/Stop Button  
Signal Lamp



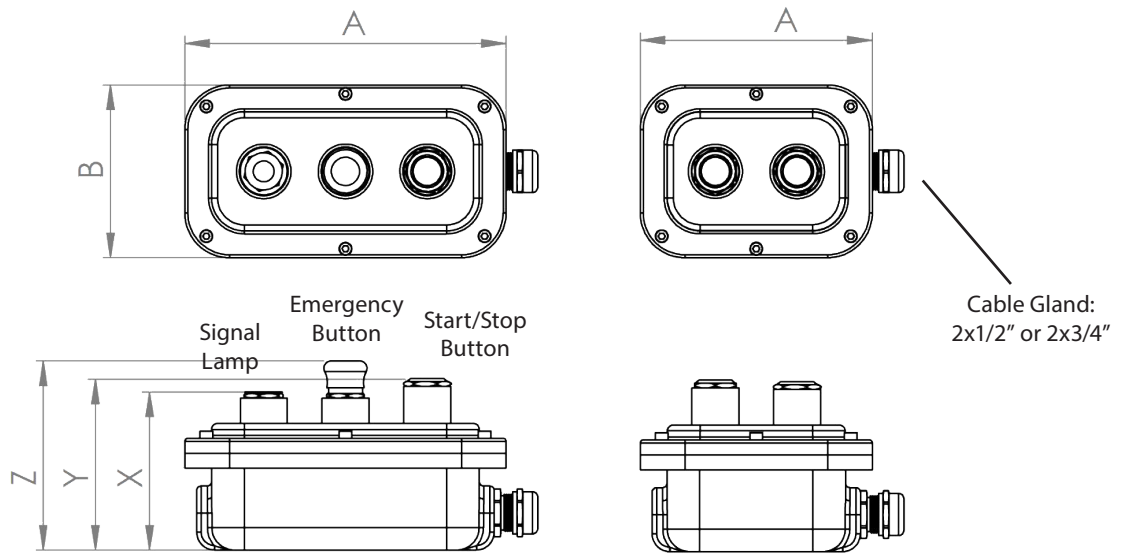
Product	Aluminium Body Junction Boxes
Certification	SCA 20 ATEX 068X
Marking	II 2G Ex db IIB T6 Gb II 2D Ex tb IIIC T85°C Db
IP	IP 65
Ambiant Temp.	-25 °C up to +55 °C
Standarts	EN60079-0: 2018; EN60079-1: 2014; EN60079-31: 2014
Cable Entries	2X1/2" or 2x3/4"
Body	Low Cooper Aluminium Alloy
Gaskets	NBR o-ring on Body
Paint	Electrostatic Powder Coat
Rated Voltage	24-220V
Frequency	50/60 Hz
Application	Oil refineries, Chemical and petrochemical plants, Boiler rooms etc.

ZONE 1-2 / 21-22

IP 65

$-25\text{ °C} < T_a < +55\text{ °C}$

# DIMENSIONAL DRAWING



	External		Equipments			Information
	A	B	x	y	z	
ZNB-CE2A	156	116				Start + Stop Buttons
ZNB-CE2B	156	116				Start/Stop + Signal Lamp
ZNB-CE2C	156	116	105	115	127	Start/Stop + Emergency
ZNB-CE3A	216	116				Start + Stop + Emergency
ZNB-CE3B	216	116				Start + Stop + Signal Lamp

## ZNB-CE

See Information  
Columns



**ATEX**

